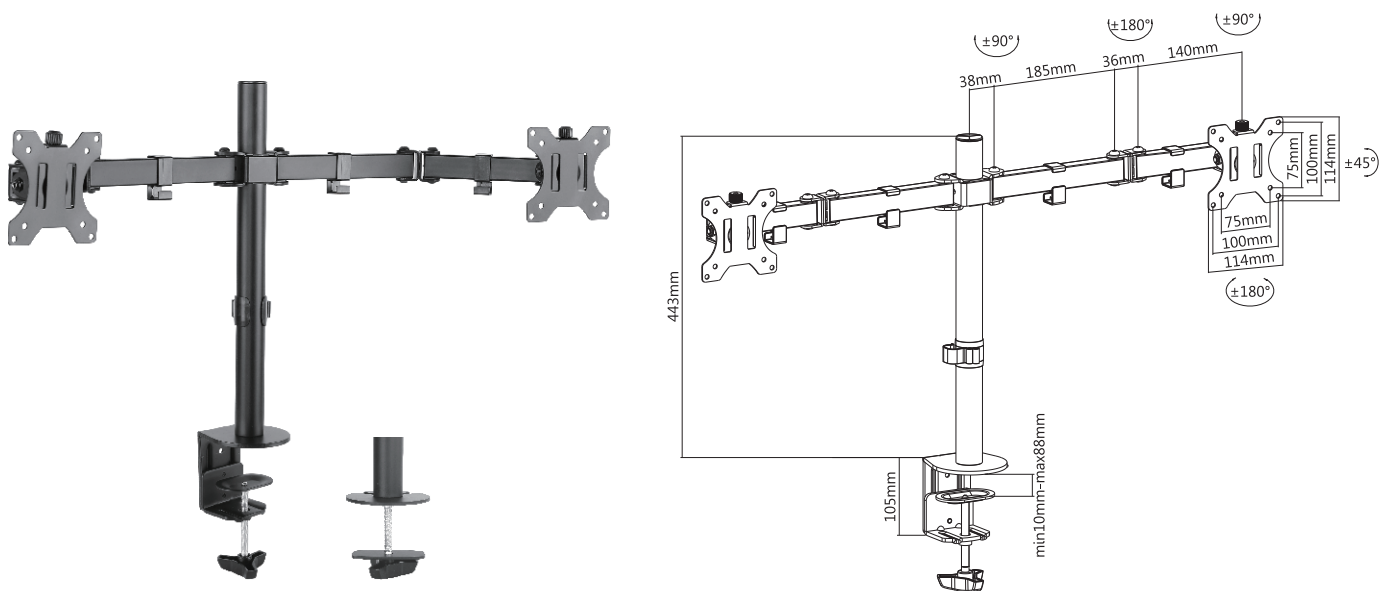


LDT12-C024N

The LDT12-C024N is upgraded monitor arm, which double joint is able to be tightened, so you can adjust exactly how stationary you want everything to be. Constructed of high grade steel, this rugged mount built to resist scratches and supports screens up to 8kg/17.6 lbs and 32" in size. We made a detachable VESA panel, just simply screw the monitor on the panel and slide back to the mount. Full motion structure allows smooth, effortless rotating and positioning for any direction, making it easy to find the perfect viewing angle. You can also adjust the monitor height vertically to a desired position. Besides, cable clip is included for keeping cables organized and protected. Please refer to product diagram for further details.



Item No.	LDT12-C024N
Screen Size	13"-32"
VESA Compatible	75x75, 100x100
Weight Capacity	8kg/17.6lbs
Screen Rotation	360°
Tilt Range	+45° - -45°
Swivel Range	+90° - -90°
Cable Management	Yes