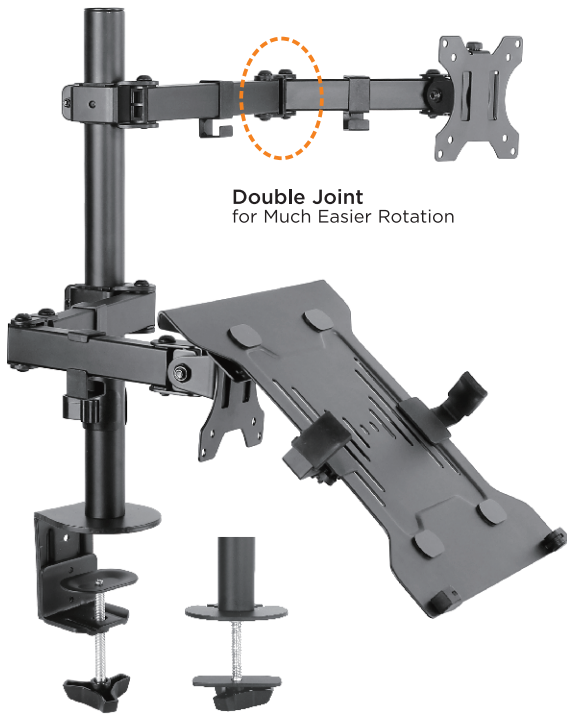
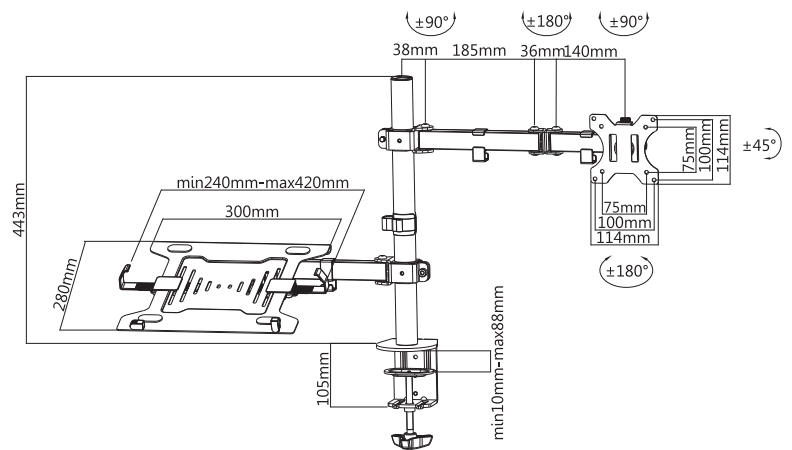


LDT12-C1M2KN

The LDT12- C1M2KN is upgraded monitor arm, which double joint is able to be tightened, so you can adjust exactly how stationary you want everything to be. Constructed of high grade steel, this rugged mount built to resist scratches and supports screens up to 8kg/17.6 lbs and 32" in size. We made a detachable VESA panel, just simply screw the monitor on the panel and slide back to the mount. Full motion structure enhances your viewing option with a large monitor at the same time with your laptop/notebook. Besides, cable clip is included for keeping cables organized and protected. Please refer to product diagram for further details.



Double Joint
for Much Easier Rotation



Item No.	LDT12-C1M2KN
Screen Size	13"-32"
VESA Compatible	75x75, 100x100
Weight Capacity	MONITOR RATED(8kg/17.6lbs), LAPTOP RATED(4.5kg/9.9lbs)
Screen Rotation	360°
Tilt Range	+45° - -45°
Swivel Range	+90° - -90°
Cable Management	Yes