

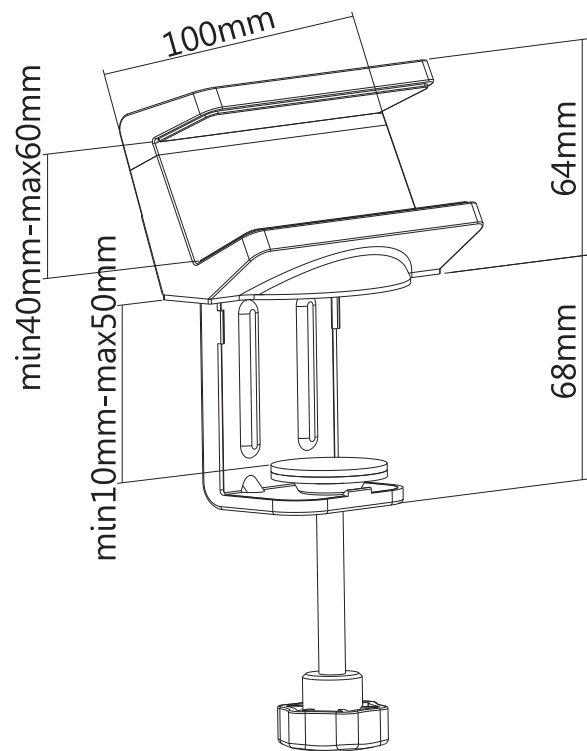
## MH01-1

# Power strip organiser



### MH01-1

Sick of reaching under your desk in the dark to find an outlet? Tired of potential trip hazards from loose hanging wires? Why not get organized? Consider the MH01-1 Clamp-On Power Strip Holder. It's the answer to the ever-present problem of under-desk cord clutter. The adjustable width accommodates most power strips from 1.6"- 2.4"(40-60mm) and it clamps easily to desks up to 2.0 "(50mm) thick! EVA foam pads protect desktop surfaces from scratches or scuffs and silicone pads found in the mount hold your power strip firmly in place. Now you can remove those hidden trip wires and put your power strip exactly where you need it.



| Item No.                    | MH01-1       |
|-----------------------------|--------------|
| Dimensions                  | 100x62x155mm |
| Suggested Power Strip Width | 40-60mm      |
| Clamp Range                 | 10-50mm      |
| Installation                | Clamp        |
| Cable Management            | Yes          |