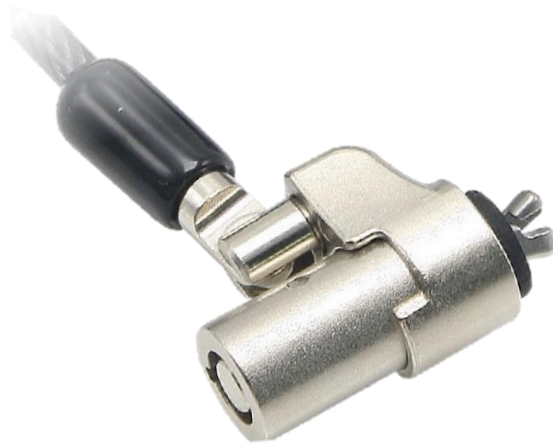




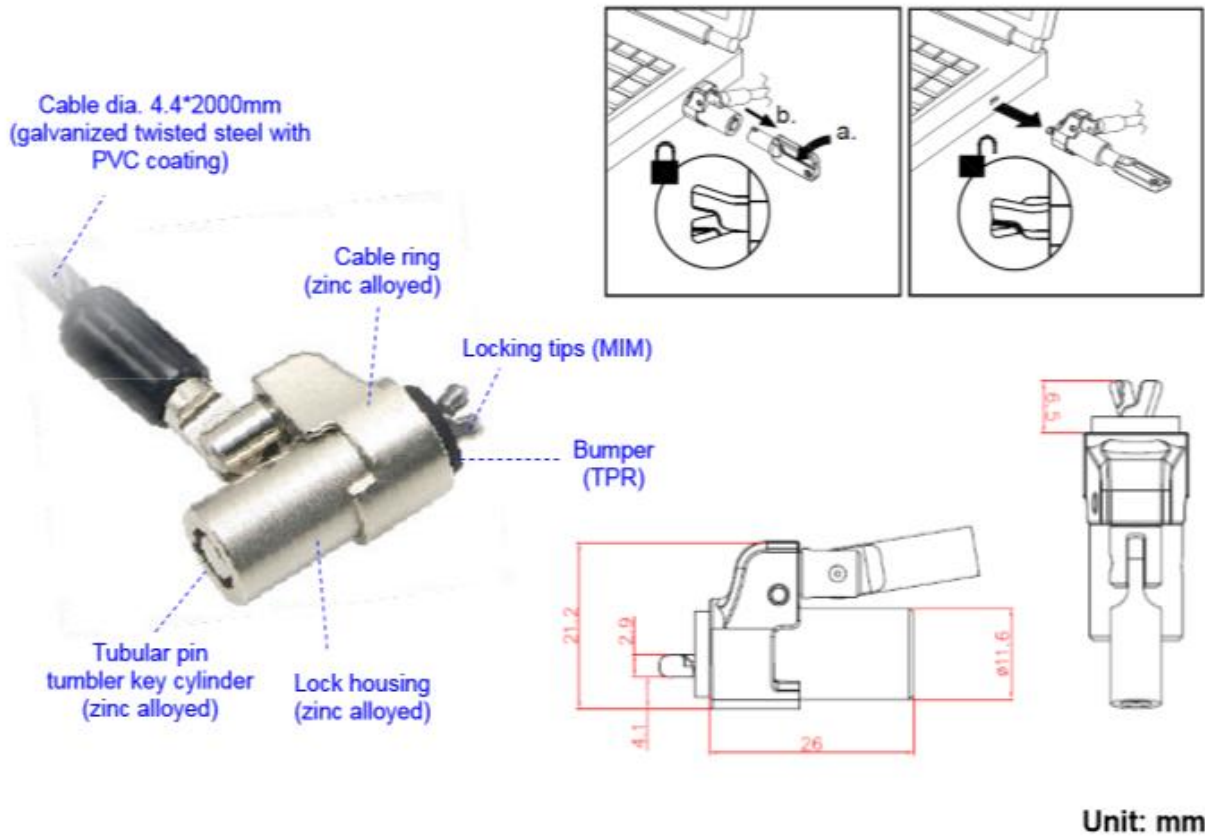
Melon MS315 ULTRA SLIM “Key to Lock & Open Function”
Security slot (Noble wedge)



MELON Security Key to lock & open function with Maximum theft protection - Fit with Security Slot, **Size: 3.2mmx4.5mm**

Features

- Key Lock
- Key to lock & open function
- Convenient operation with 360° swivel cable joint & Lock Head rotates 360°
- Foam spacer




Specifications:

Cable Length (in mm): Straight stainless-steel cable in a dark smoke PVC coating (Diameter 4.4 * L1500mm)

Material: Zinc alloyed lock body w/tubular key mechanism

Key Type: 2 individual key for each lock

Packaging: Bulk Pack + 3 secure spacer + 1 Velcro strap

Make: 

Warranty: 2 Years

Part No.: MS315