

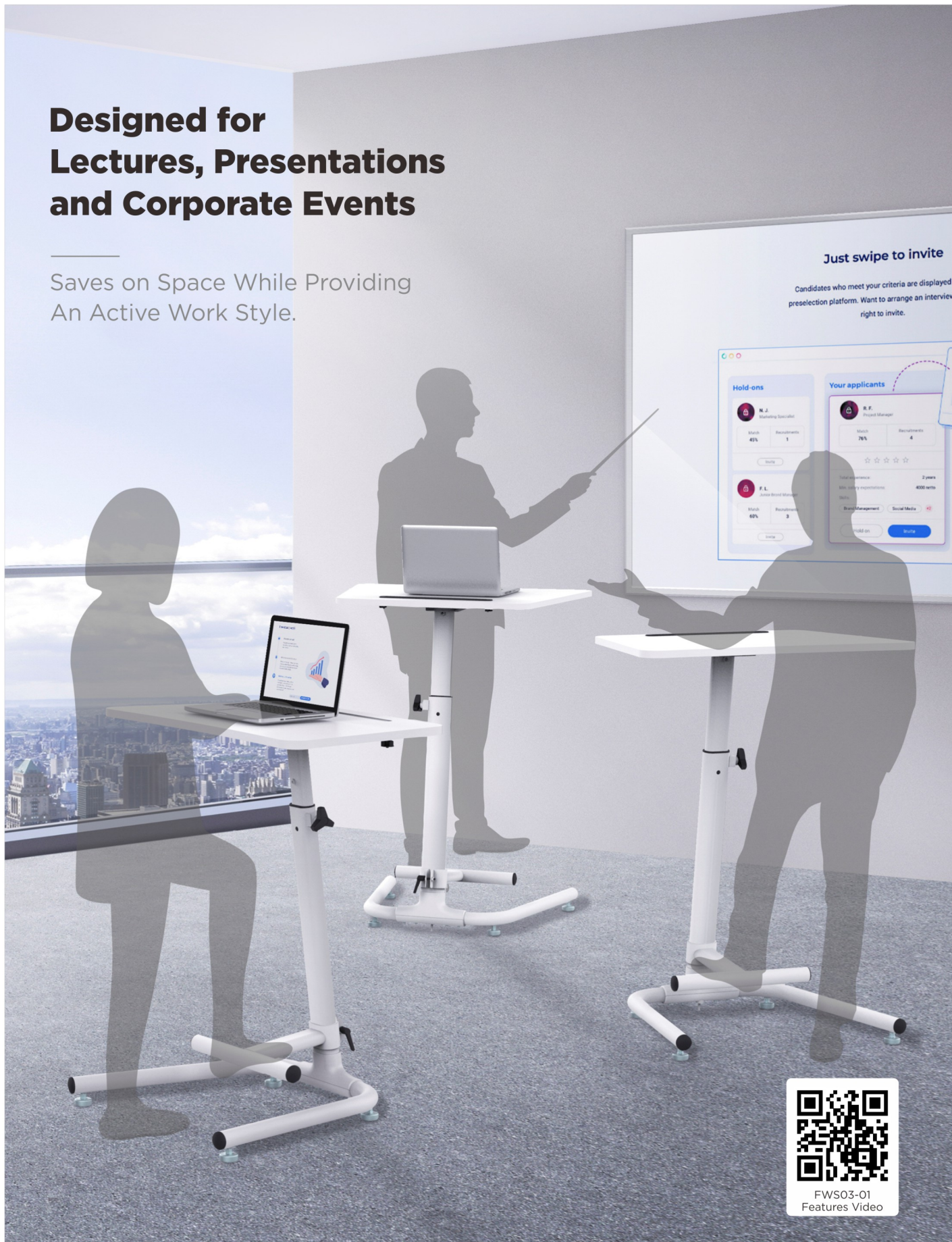
FWS03-1

Height Adjustable Sit-Stand Workstation

LUMI
ergo

Designed for Lectures, Presentations and Corporate Events

Saves on Space While Providing An Active Work Style.



FWS03-01
Features Video

FWS03-1

Height Adjustable Sit-Stand Workstation

LUMI
ergo



FWS03-1

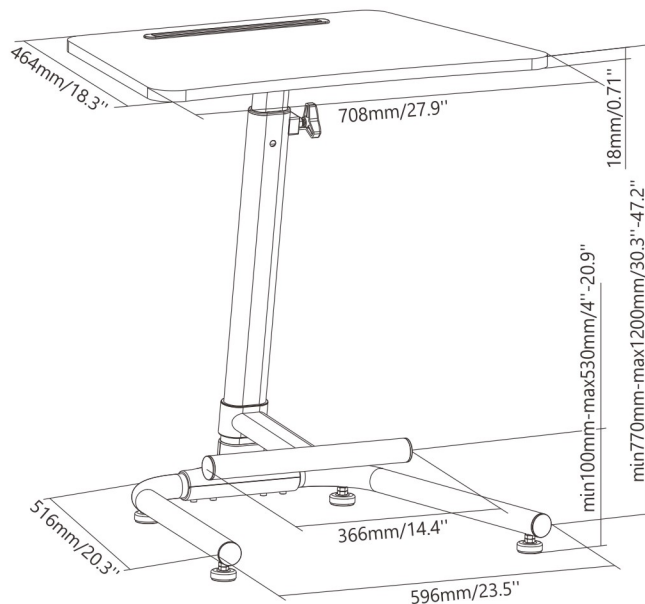
Material: Particle Board & Melamine, Steel

Worksurface Size: 708 x 464 (27.9"x18.3")

Tabletop Thickness: 18mm(0.71")

Worksurface Weight Capacity: 0-8kg (0lbs-17.6lbs)

Height Range: 770-1200mm (30.3"-47.2")



Leveling Rubber Feet

maintain stability while protecting the floor from scuffing or scratches



Pneumatic Height Adjustment

easy operation for different study or work habits



Tablet Slot

fits ipads, tablets and smart phones



Adjustable Footrest

allows users to find their own comfortable position



Footrest Bar

enhances user comfort while either sitting or standing